

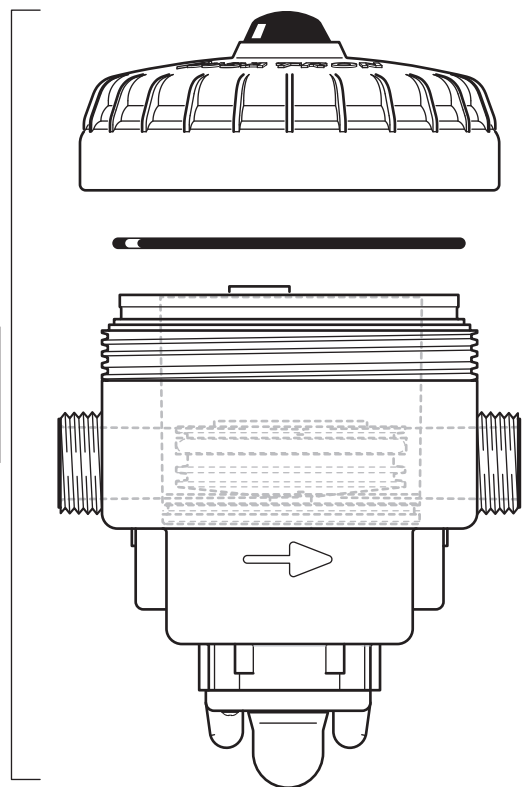
D07RE125

Option

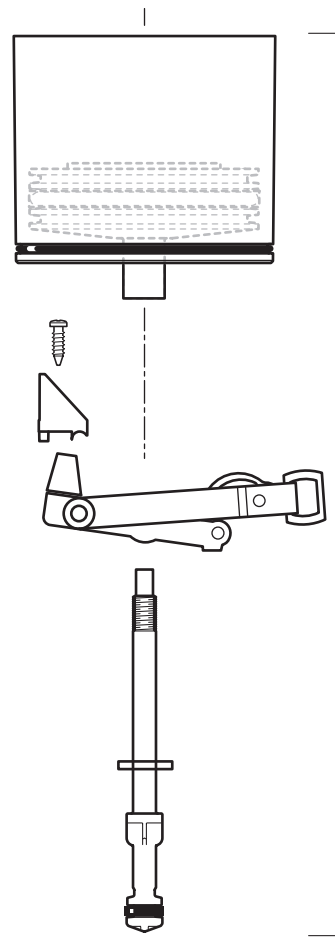
JDI138

0.7 m³/h - 0.15 - 1.25%
3 GPM - 1:666 - 1:80
0.3 - 6 bar
4.3 - 85 psi

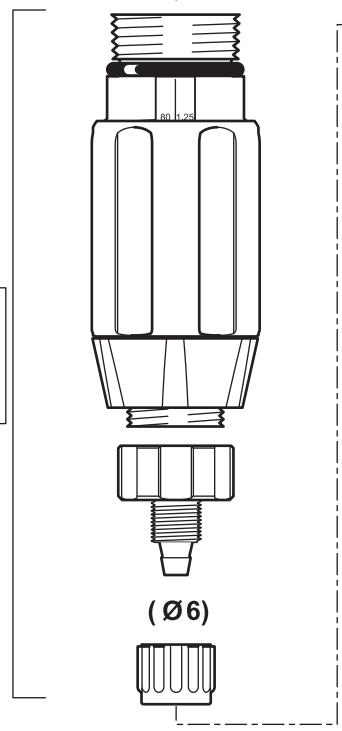
MPDI197



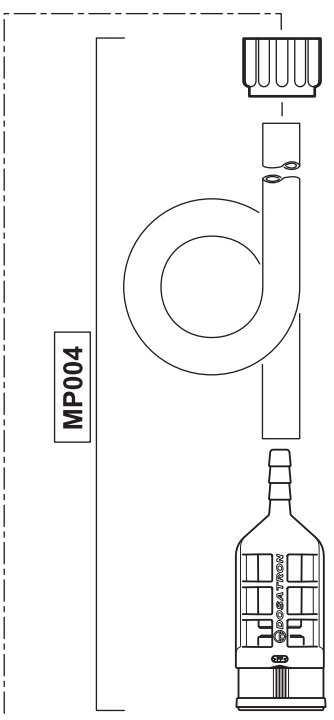
PCDI028



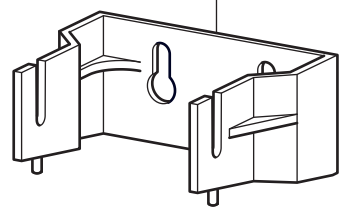
CDDI067



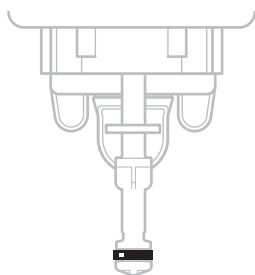
MP004



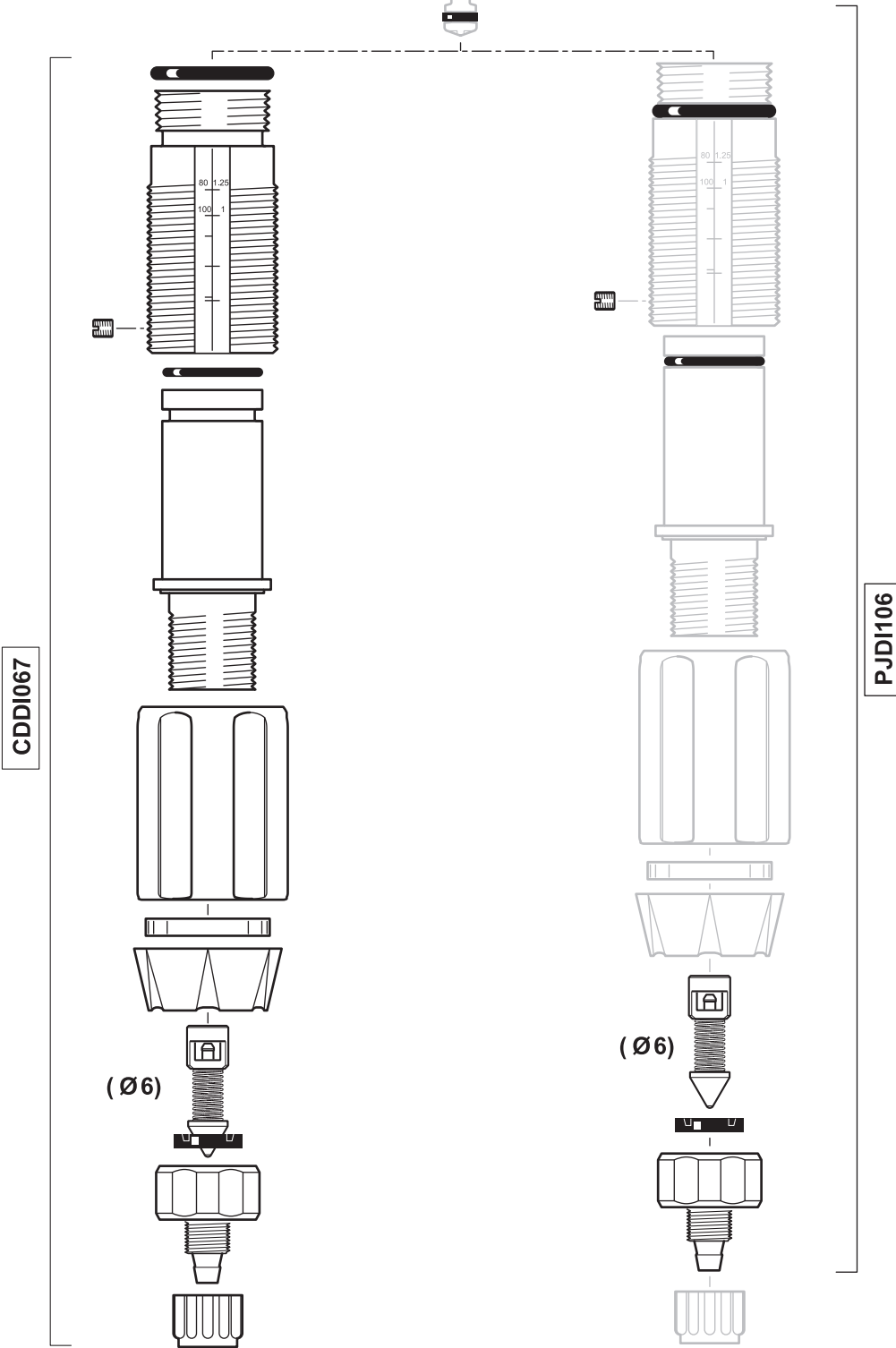
PDI525



D07RE125



0.7 m³/h - 0.15 - 1.25%
3 GPM - 1:666 - 1:80
0.3 - 6 bar
4.3 - 85 psi



CDDI067

PJD1106

(Ø6)