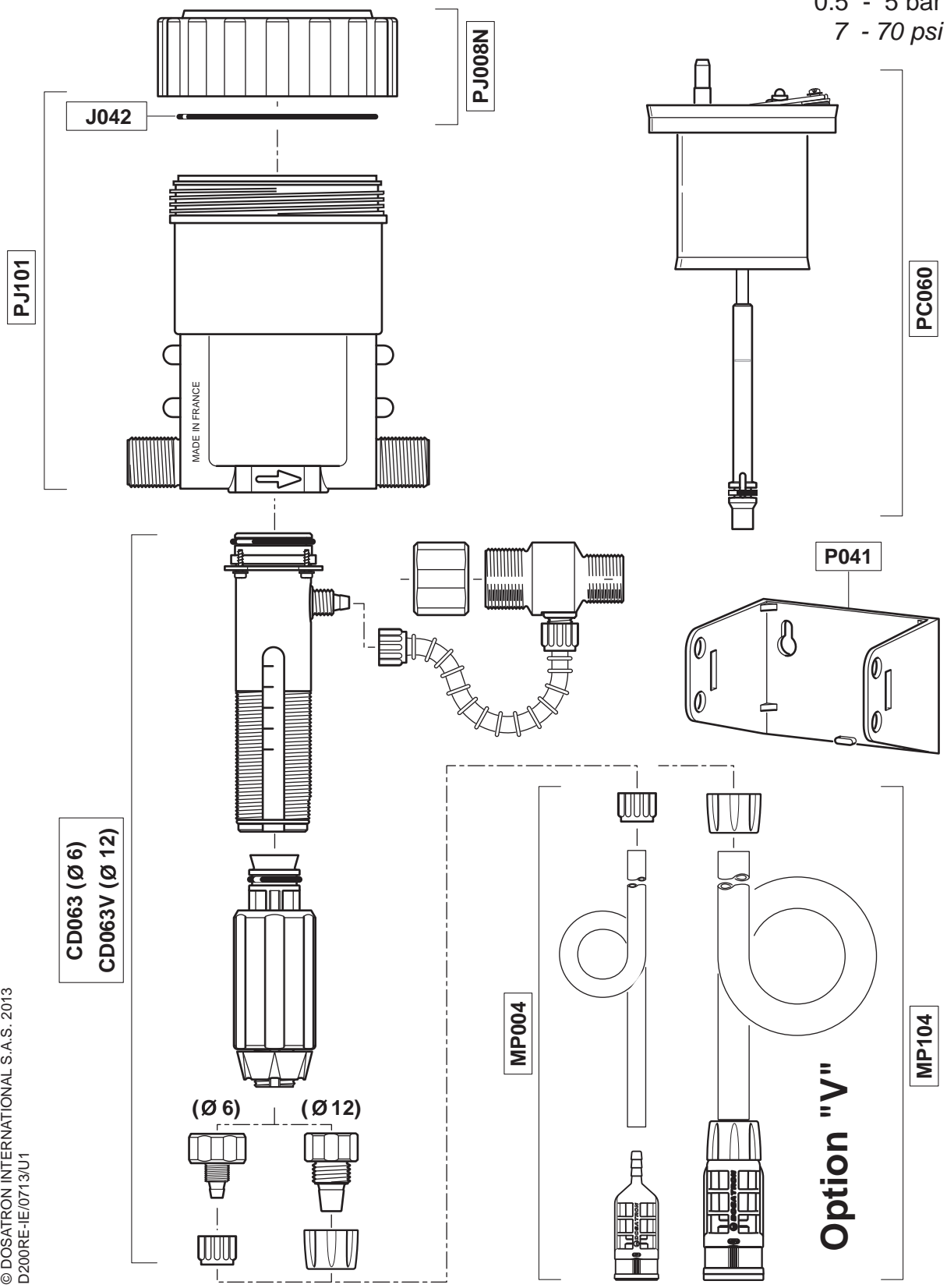


D200RE-IE

1.5 m³/h - 0.2 - 2%
 7 GPM - 1:500 - 1:50
 0.5 - 5 bar
 7 - 70 psi



D200RE-IE

1.5 m³/h - 0.2 - 2%
7 GPM - 1:500 - 1:50
0.5 - 5 bar
7 - 70 psi

CD063 (Ø 6)
CD063V (Ø 12)

PJ089 (Ø 6)
PJ089V (Ø 12)

© DOSATRON INTERNATIONAL S.A.S. 2013
D200RE-IE/0713/U2

