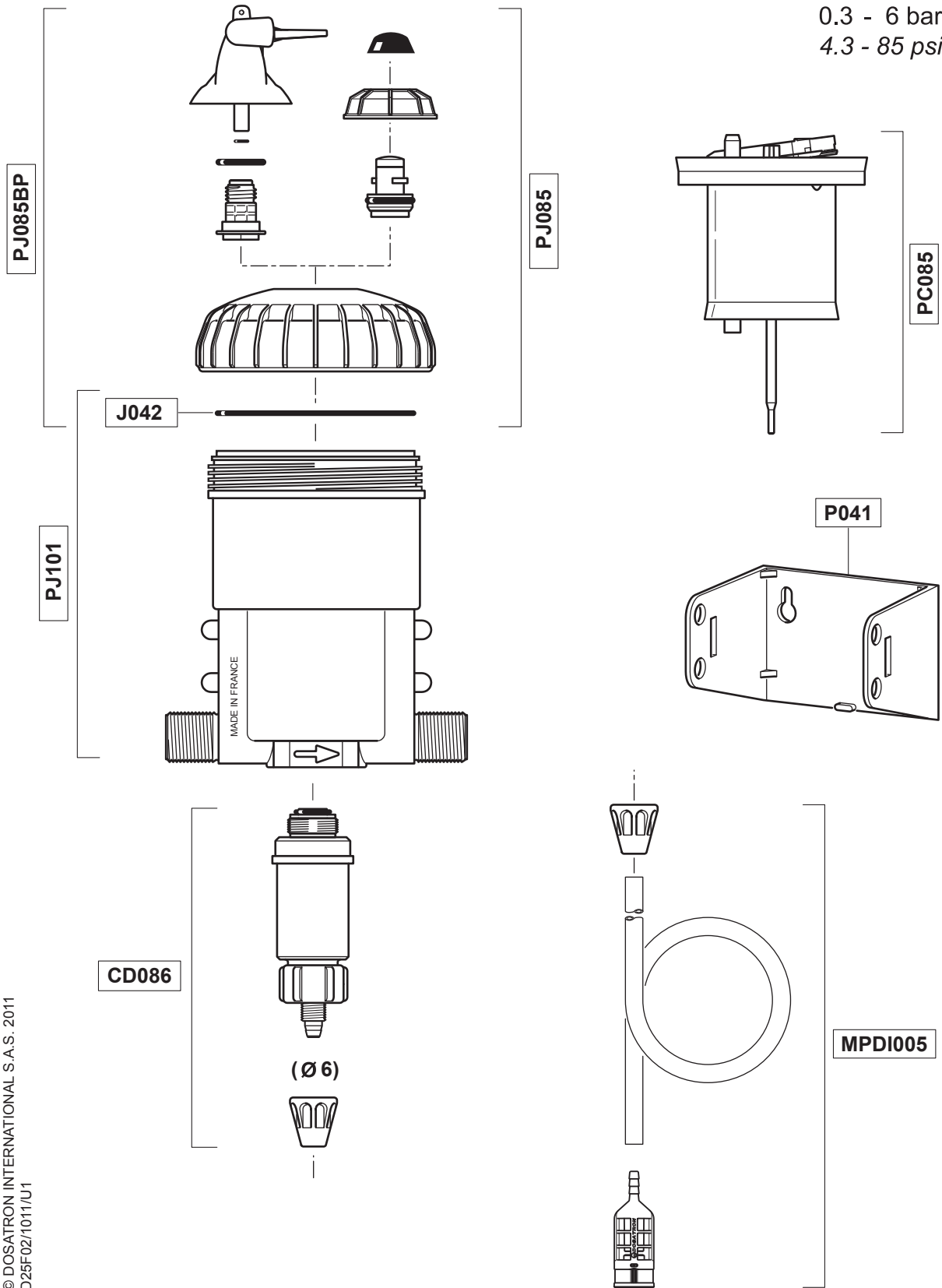


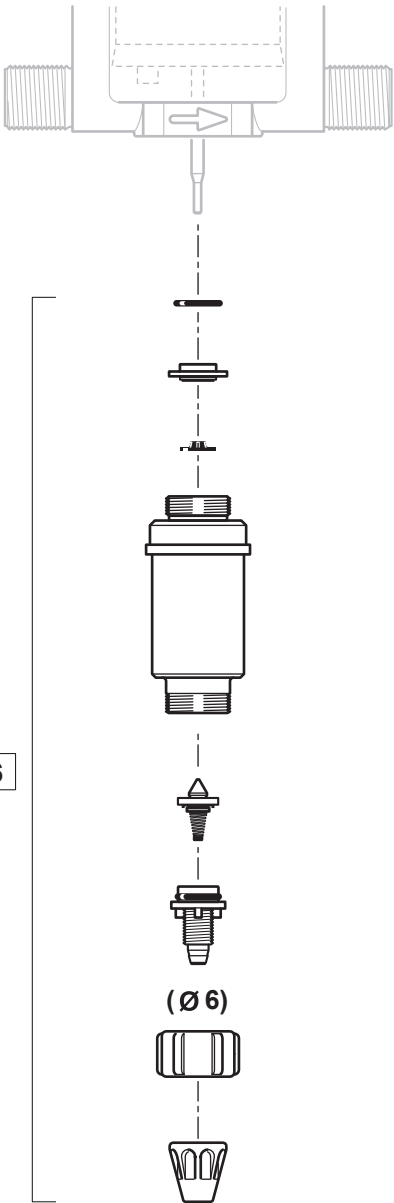
D25F02

2.5 m³/h - 0.2%
 11 GPM - 1:500
 0.3 - 6 bar
 4.3 - 85 psi



D25F02

2.5 m³/h - 0.2%
 11 GPM - 1:500
 0.3 - 6 bar
 4.3 - 85 psi



PJDI087

