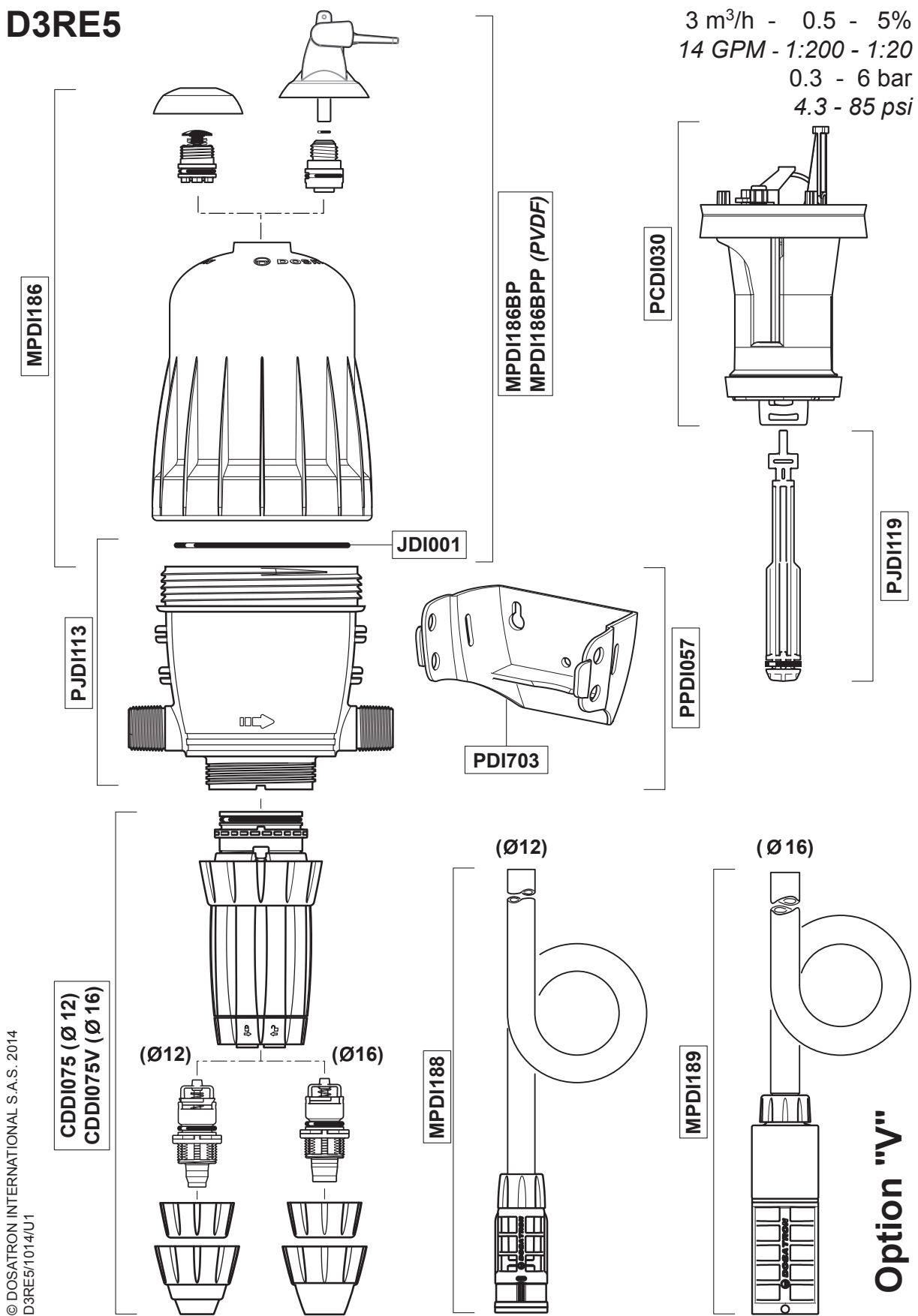


D3RE5

3 m³/h - 0.5 - 5%
 14 GPM - 1:200 - 1:20
 0.3 - 6 bar
 4.3 - 85 psi

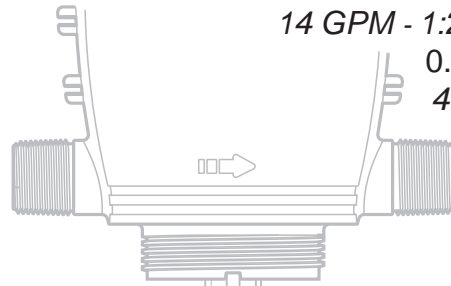
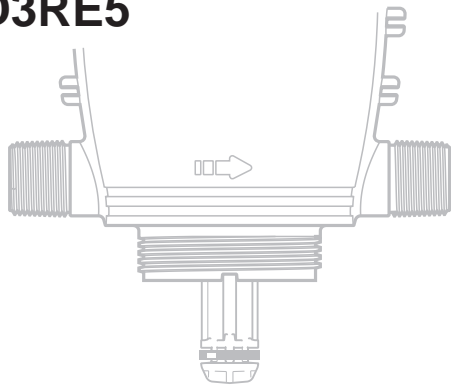


© DOSATRON INTERNATIONAL S.A.S. 2014
 D3RE5/1014/U1

Option "V"

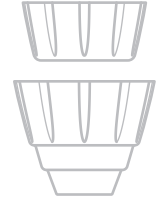
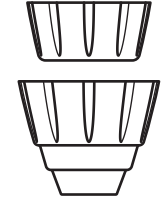
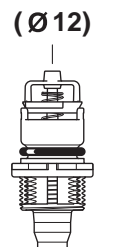
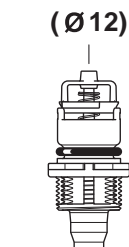
D3RE5

3 m³/h - 0.5 - 5%
 14 GPM - 1:200 - 1:20
 0.3 - 6 bar
 4.3 - 85 psi



CDDI075 (Ø 12)
 CDDI075V (Ø 16)

PJDI120 (Ø 12)
 PJDI120V (Ø 16)



Option "V"

Option "V"

(Ø 16)

(Ø 16)

