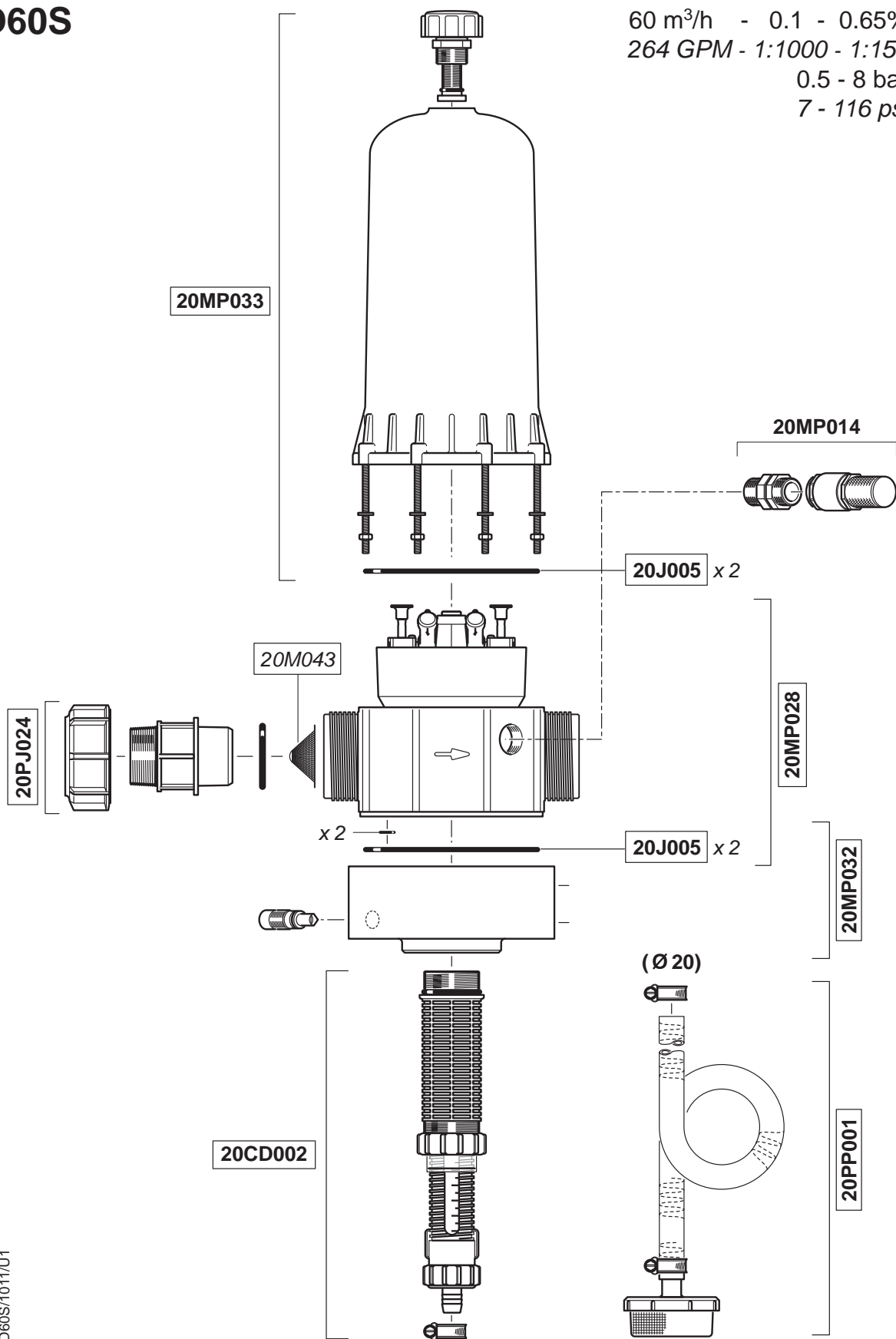


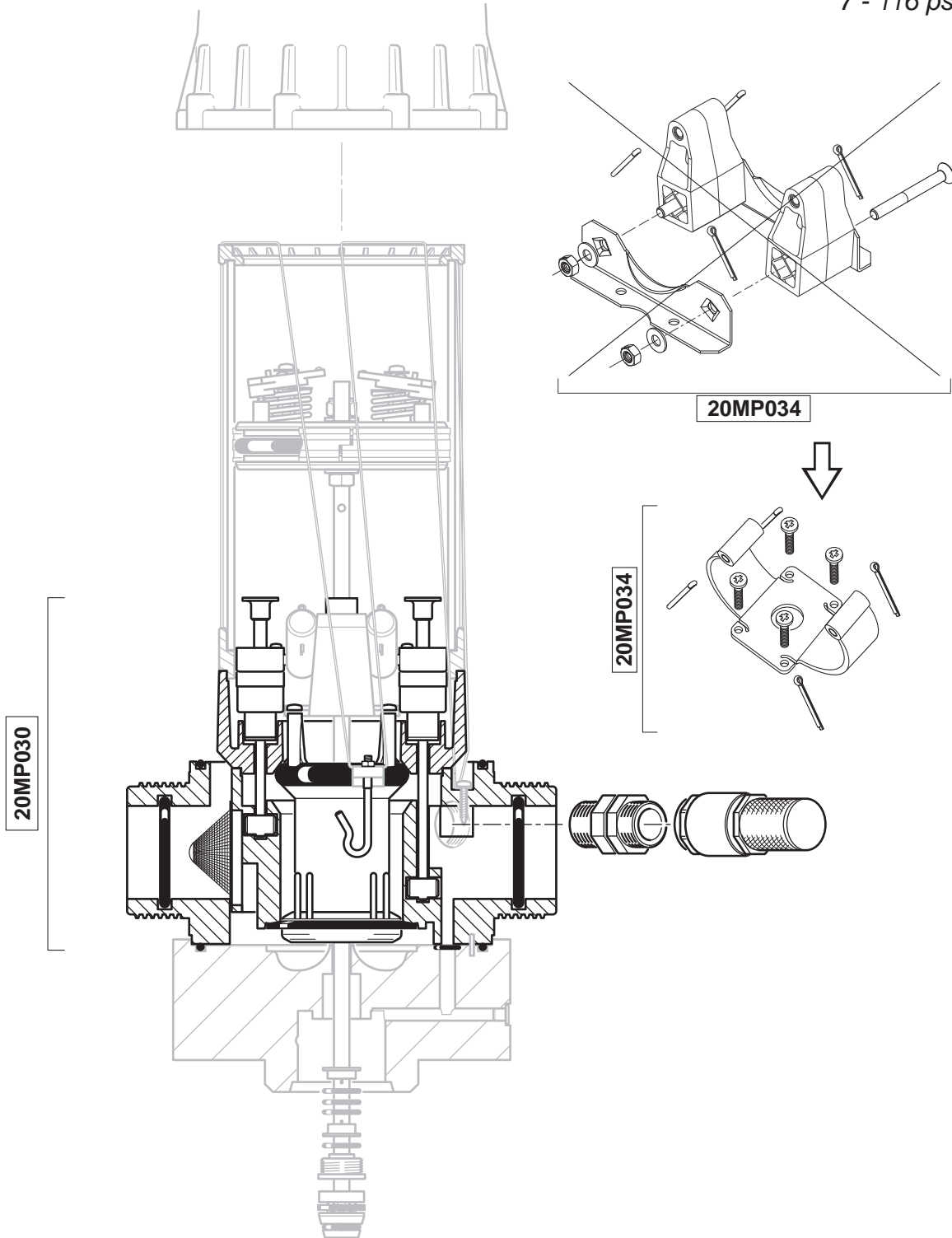
D60S

60 m³/h - 0.1 - 0.65%
264 GPM - 1:1000 - 1:155
0.5 - 8 bar
7 - 116 psi



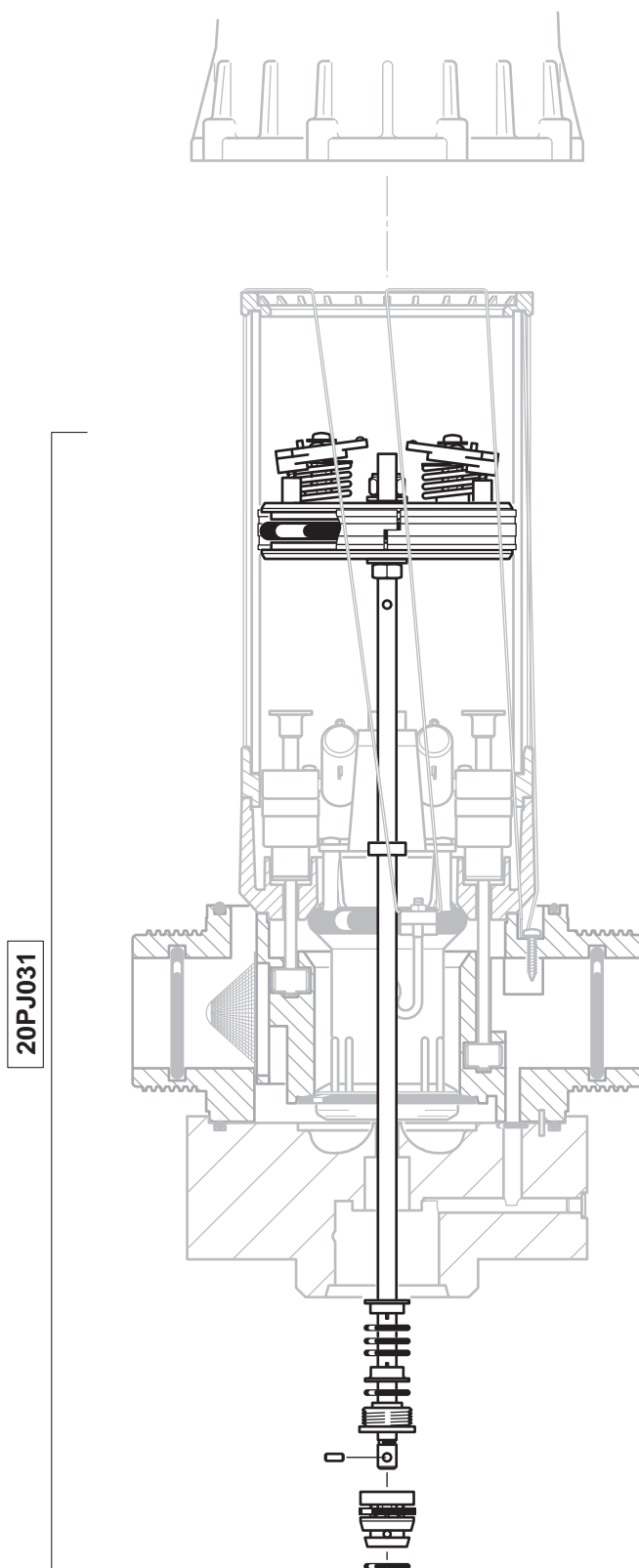
D60S

60 m³/h - 0.1 - 0.65%
264 GPM - 1:1000 - 1:155
0.5 - 8 bar
7 - 116 psi



D60S

60 m³/h - 0.1 - 0.65%
264 GPM - 1:1000 - 1:155
0.5 - 8 bar
7 - 116 psi



D60S

60 m³/h - 0.1 - 0.65%
264 GPM - 1:1000 - 1:155
0.5 - 8 bar
7 - 116 psi

