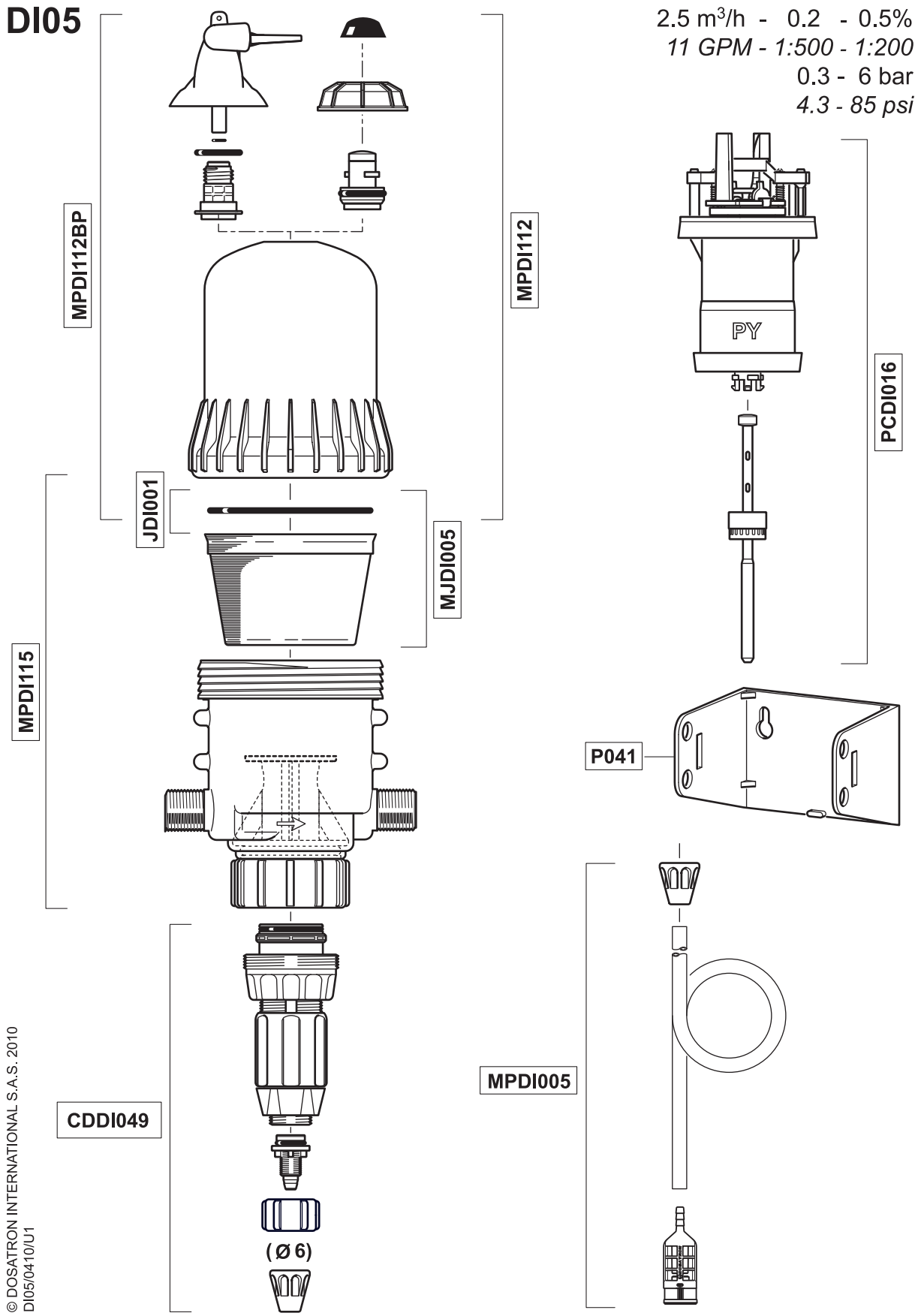
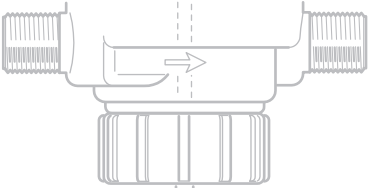
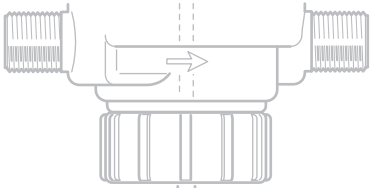


DI05



DI05

2.5 m³/h - 0.2 - 0.5%
11 GPM - 1:500 - 1:200
0.3 - 6 bar
4.3 - 85 psi



CDDI049

PJDI065

