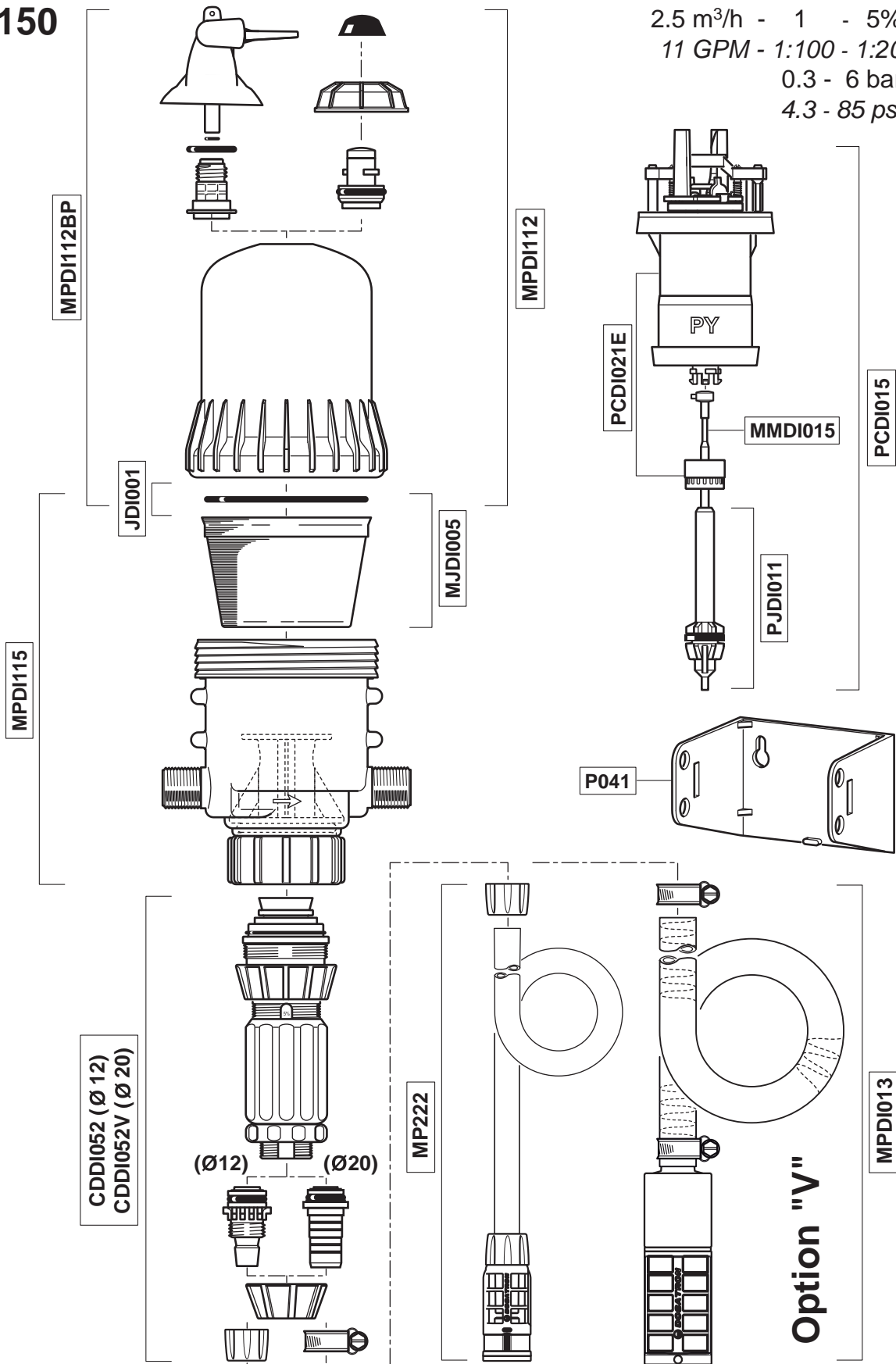


DI150

2.5 m³/h - 1 - 5%
 11 GPM - 1:100 - 1:20
 0.3 - 6 bar
 4.3 - 85 psi



DI150

2.5 m³/h - 1 - 5%
 11 GPM - 1:100 - 1:20
 0.3 - 6 bar
 4.3 - 85 psi

CDDI052 (Ø 12)
 CDDI052V (Ø 20)

PJDI060 (Ø 12)
 PJDI060V (Ø 20)

© DOSATRON INTERNATIONAL S.A.S. 2013
 DI150/0713/U2

