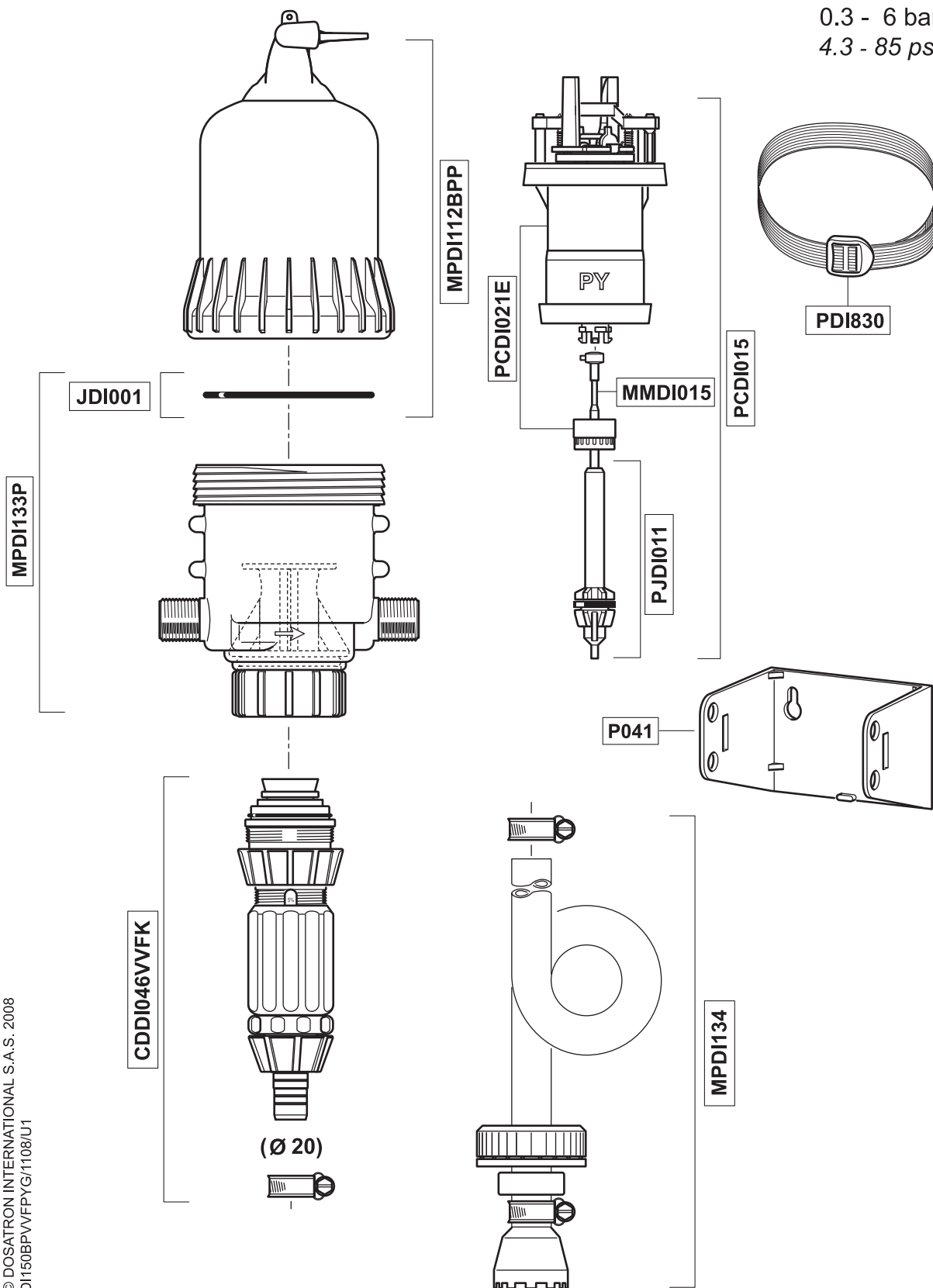


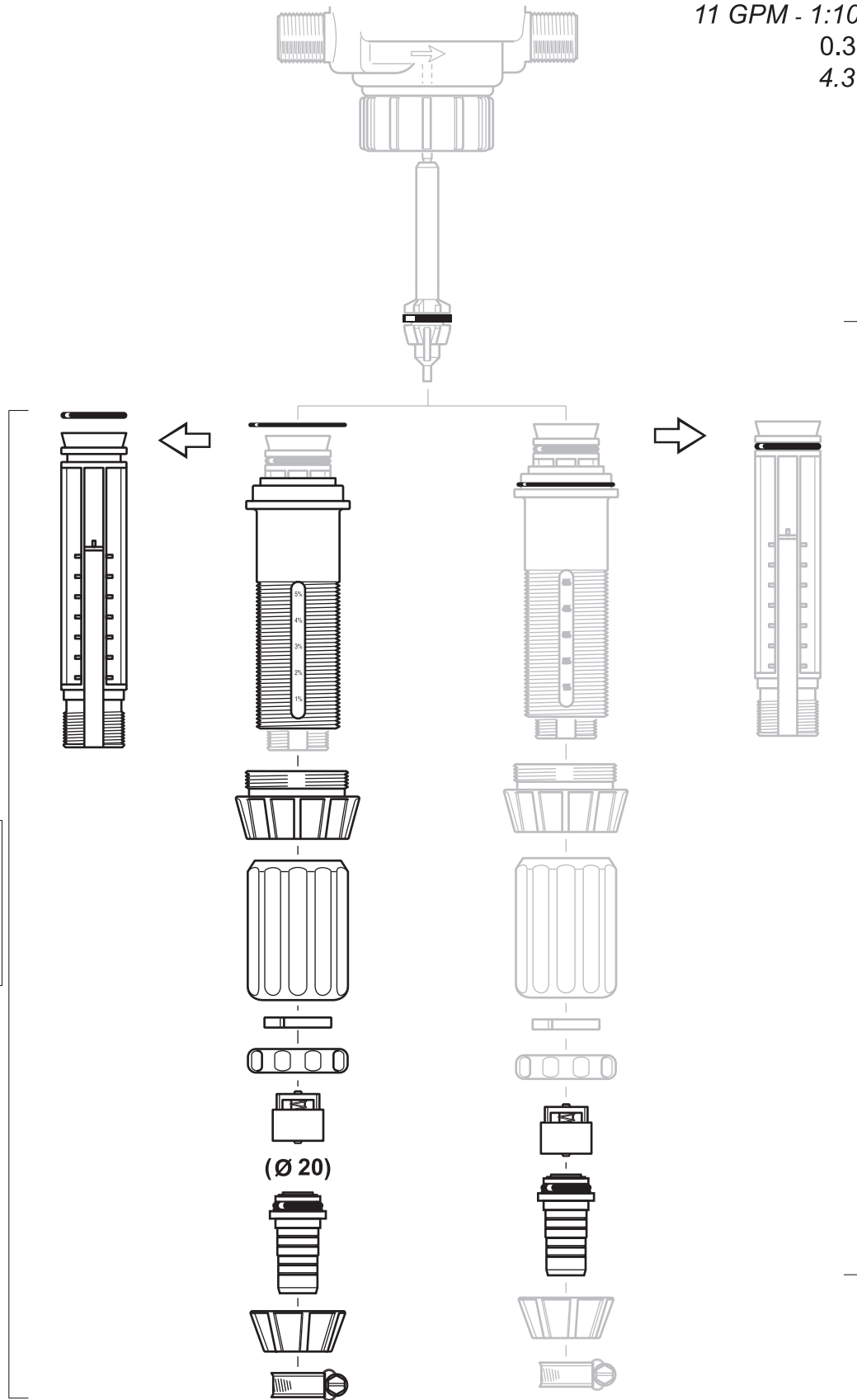
DI150BPVVFPYG

2.5 m³/h - 1 - 5%
 11 GPM - 1:100 - 1:20
 0.3 - 6 bar
 4.3 - 85 psi



DI150BPVVFPYG

2.5 m³/h - 1 - 5%
11 GPM - 1:100 - 1:20
0.3 - 6 bar
4.3 - 85 psi



CDDI046VVK

PJD1085