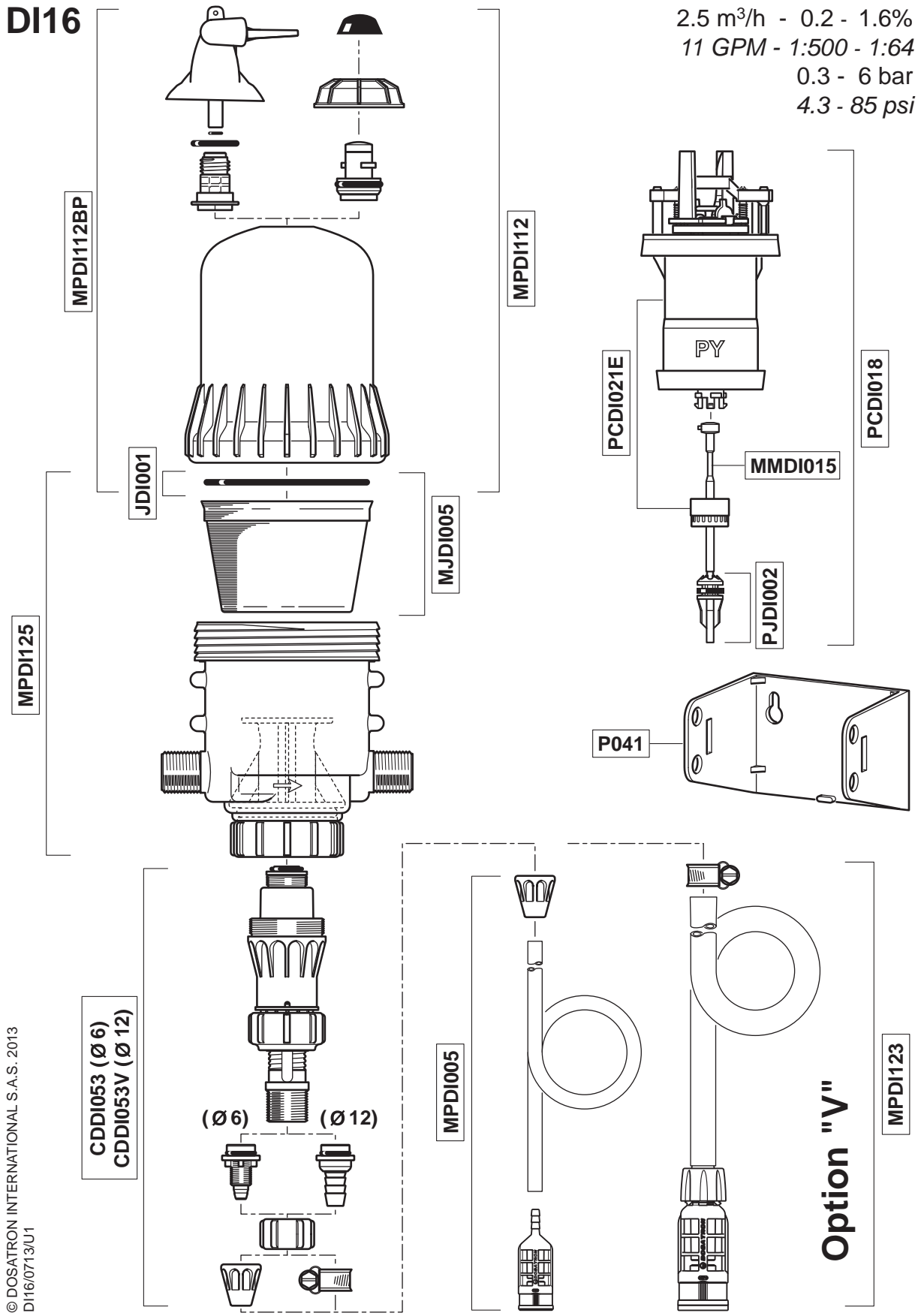
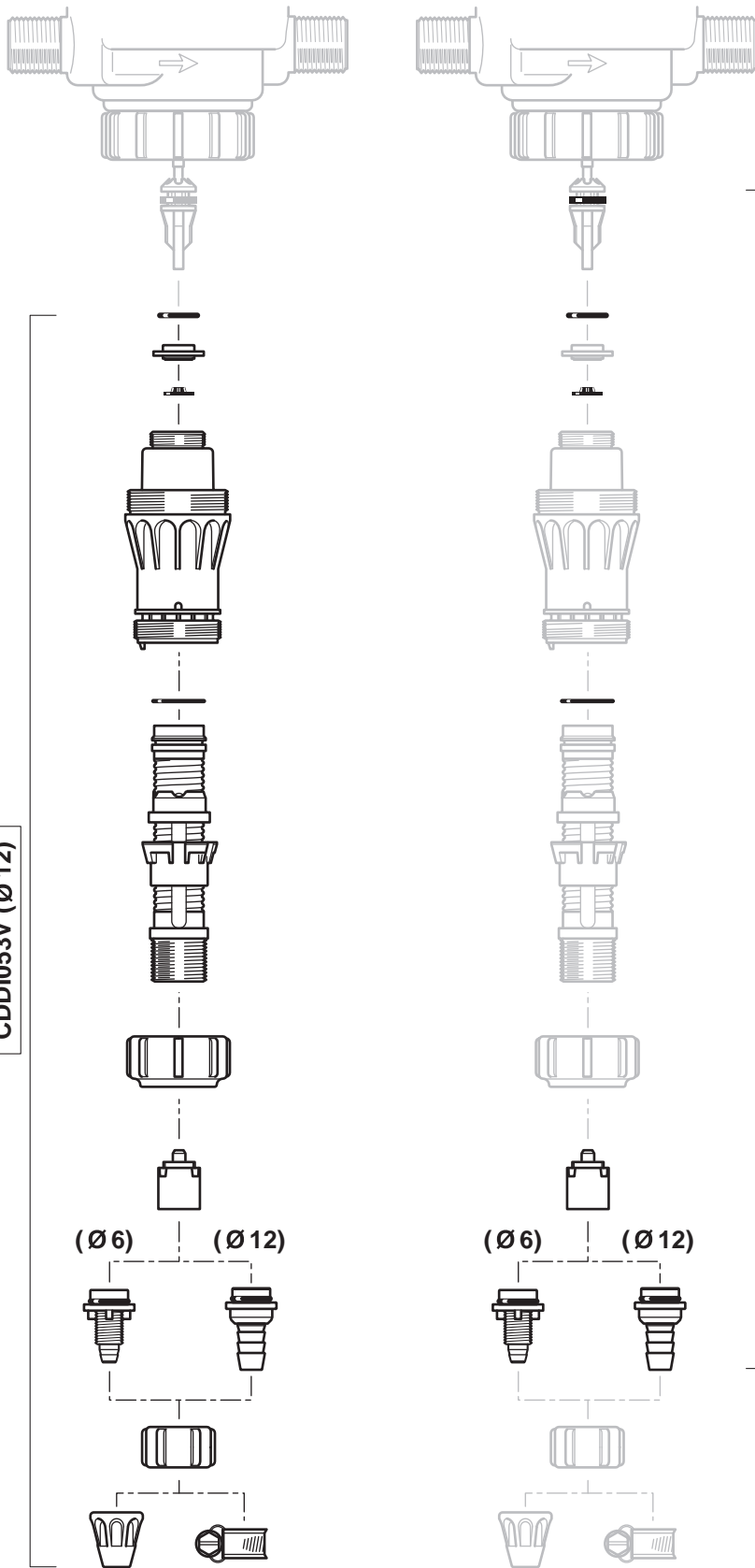


DI16



DI16

2.5 m³/h - 0.2 - 1.6%
 11 GPM - 1:500 - 1:64
 0.3 - 6 bar
 4.3 - 85 psi



CDDI053 (Ø 6)
 CDDI053V (Ø 12)

PJD1075 (Ø 6)
 PJD1075V (Ø 12)