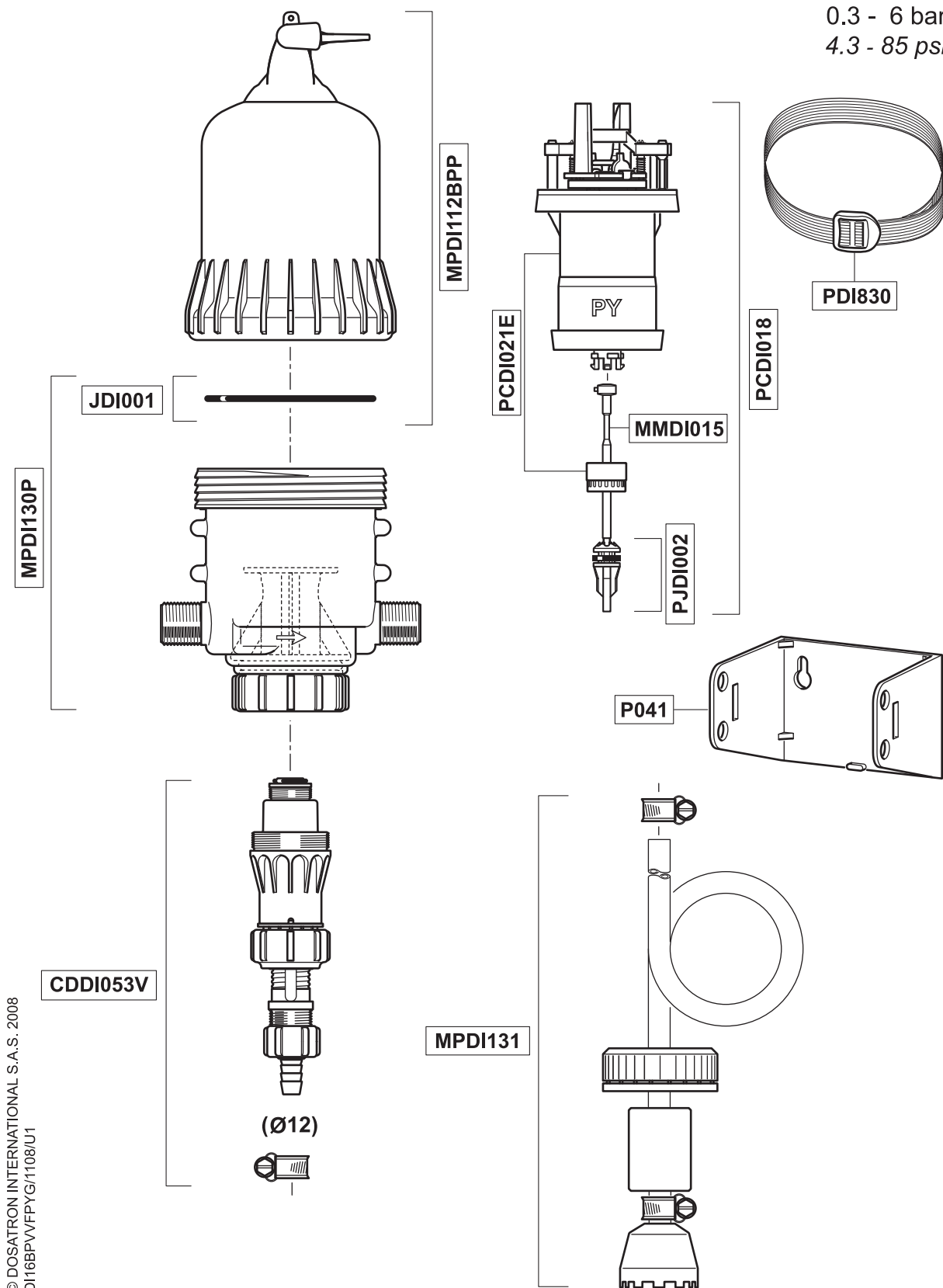


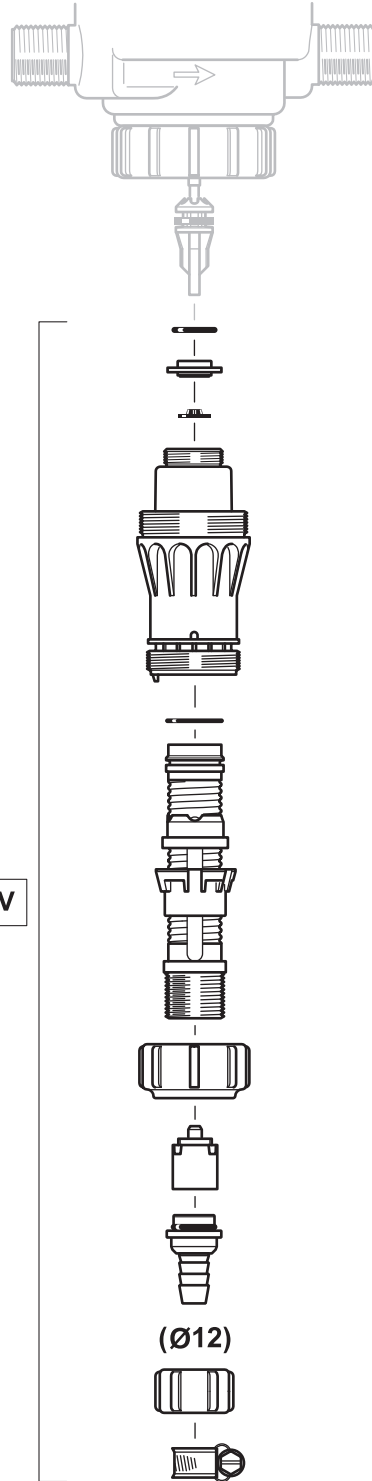
# DI16BPVVFPYG

2.5 m<sup>3</sup>/h - 0.2 - 1.6%  
 11 GPM - 1:500 - 1:64  
 0.3 - 6 bar  
 4.3 - 85 psi

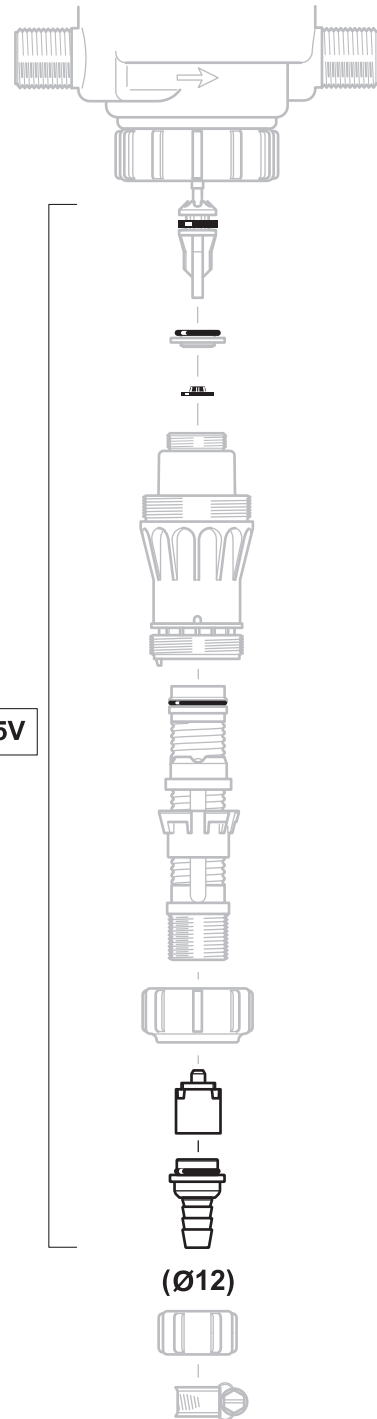


# DI16BPVVFPYG

2.5 m<sup>3</sup>/h - 0.2 - 1.6%  
11 GPM - 1:500 - 1:64  
0.3 - 6 bar  
4.3 - 85 psi



CDDI053V



PJD1075V