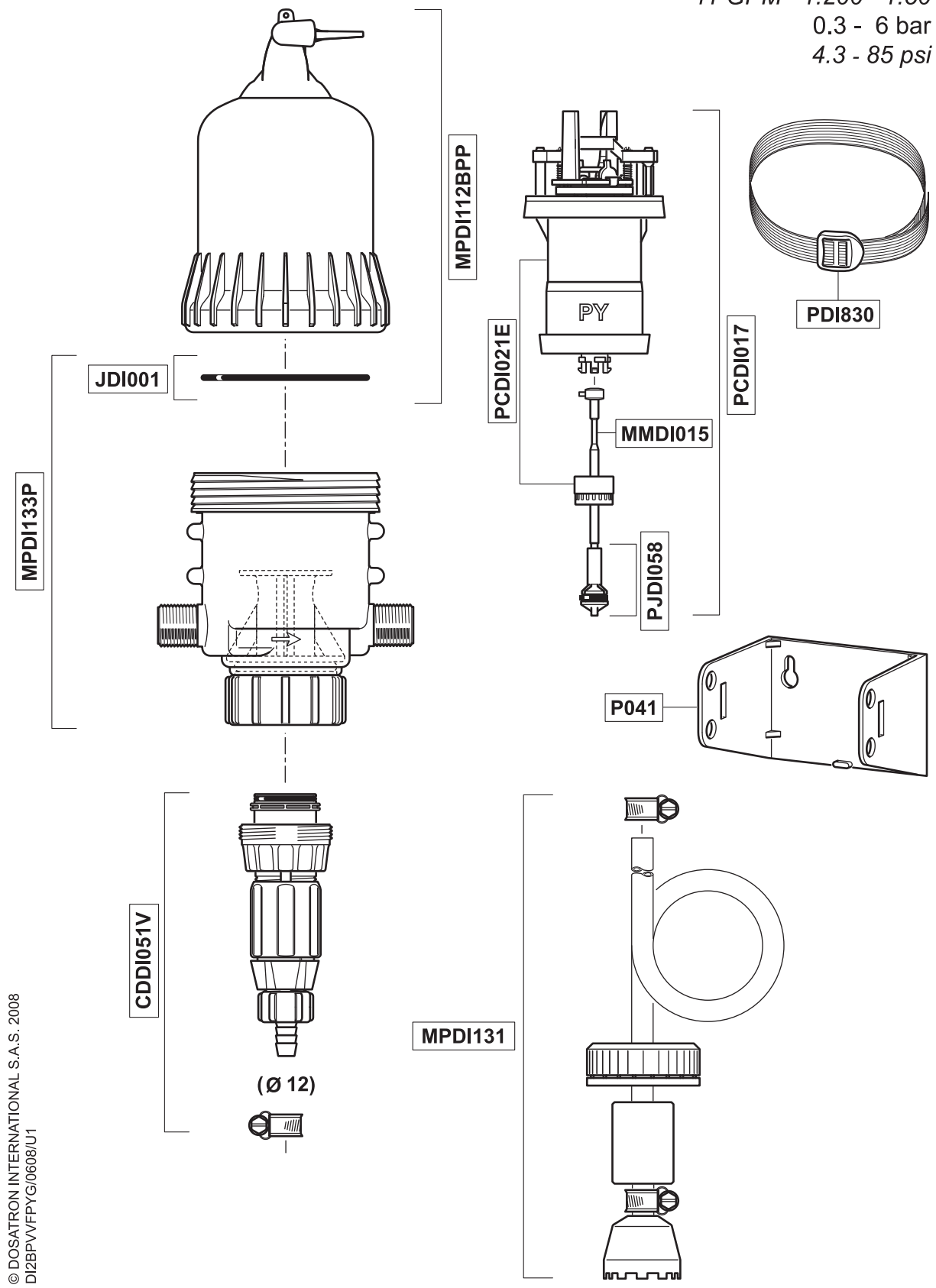


DI2BPVVFPYG

2.5 m³/h - 0.5 - 2%
 11 GPM - 1:200 - 1:50
 0.3 - 6 bar
 4.3 - 85 psi



DI2BPVFPYG

2.5 m³/h - 0.5 - 2%
11 GPM - 1:200 - 1:50
0.3 - 6 bar
4.3 - 85 psi

