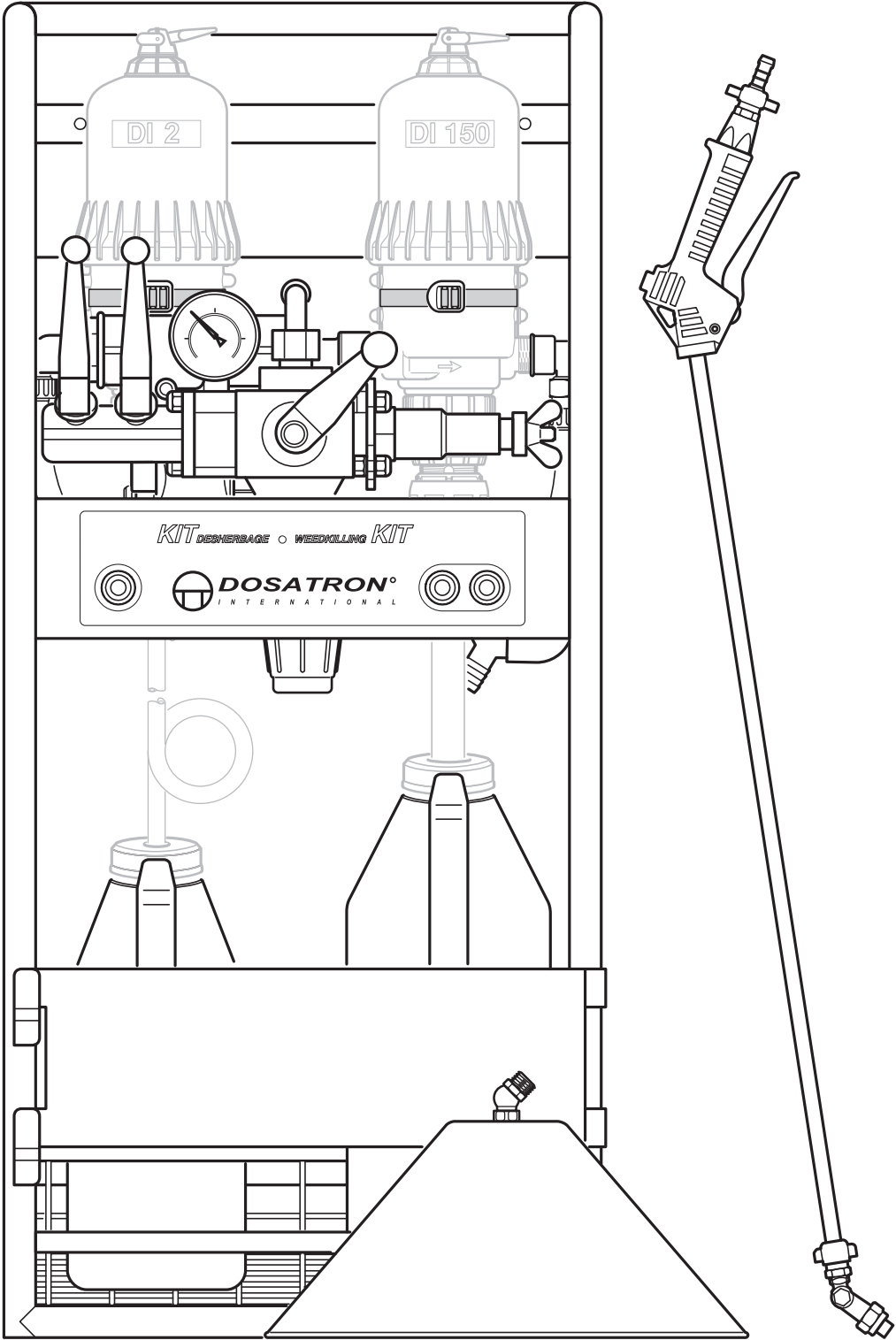


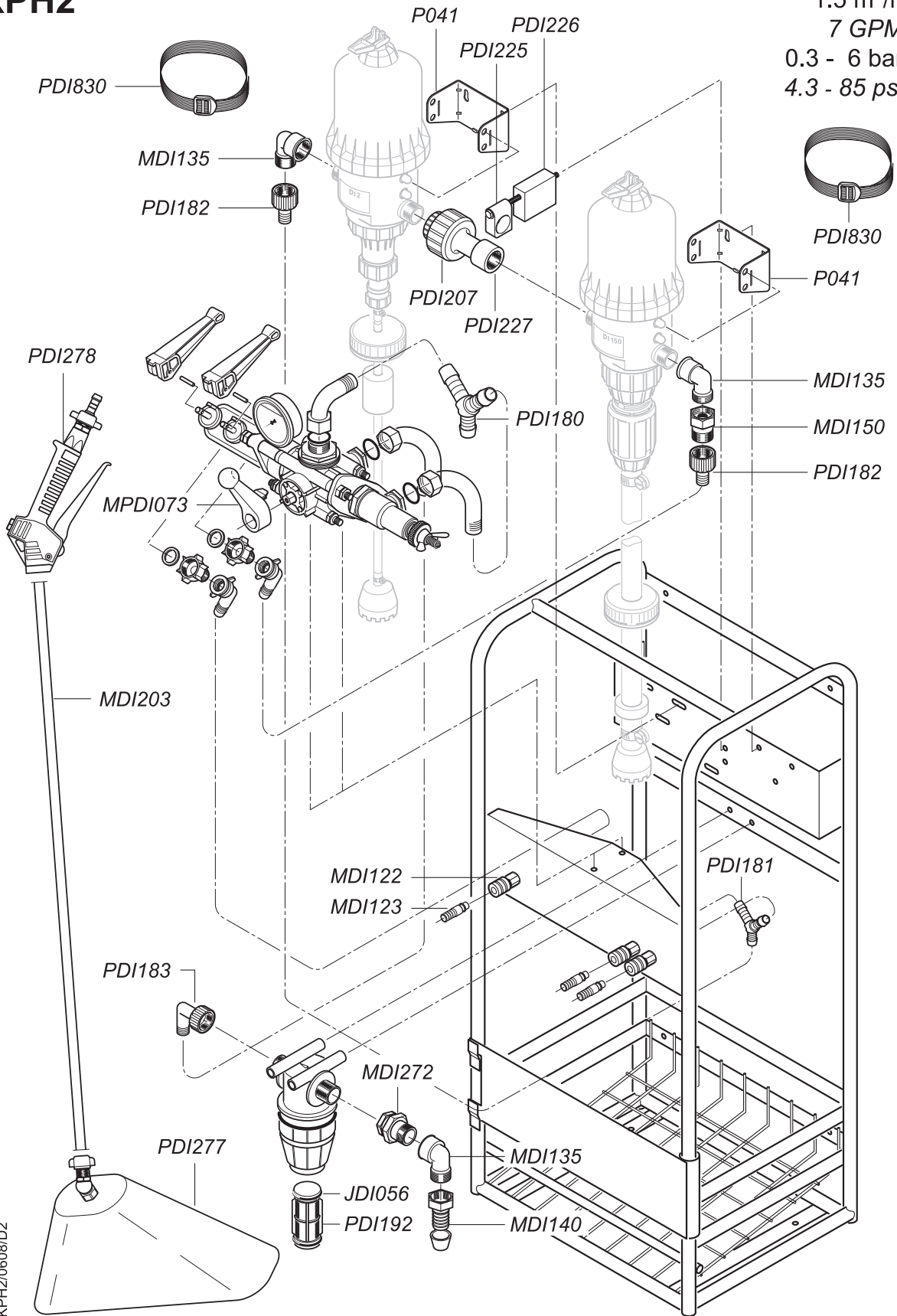
KPH2

1.5 m³/h
7 GPM
0.3 - 6 bar
4.3 - 85 psi



KPH2

1.5 m³/h
7 GPM
0.3 - 6 bar
4.3 - 85 psi



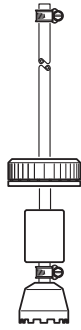
KPH2

PDI175N

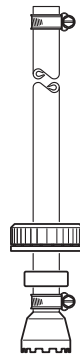


PDI192

MPDI131



MPDI134

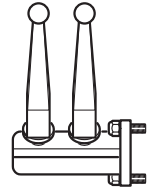


PDI178

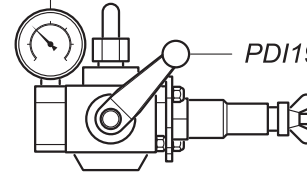
1.5 m³/h - 0.2%
7 GPM - 1:500
0.3 - 6 bar
4.3 - 85 psi

PJDI051

MDI145

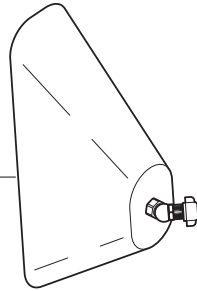


PDI191 JDI052



PDI190

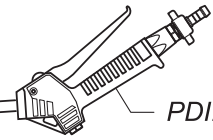
PDI277



MDI126 : 400 L/ha - rouge (red)
MDI121 : 800 L/ha - grise (grey)
MDI127 : 800 L/ha - blanche (white)

MDI157

MDI203

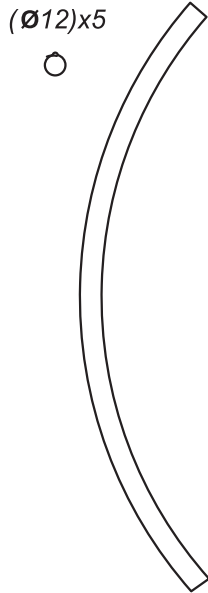


PDI278

(Ø16)x3



(Ø12)x5



PDI225



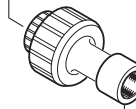
PDI226



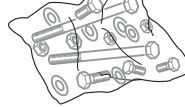
MDI150



PDI207



PDI227



MPDI062

MPDI063

EMDI002

(x 3)



(x 3)



(x 2)



(x 2)



(x 3)



(x 3)



(x 3)



(x 2)



(x 2)



(x 3)



MMDI006

MDI123

PDI179



(x 3)

(x 2)



(Ø12)



(Ø16)

MPDI060

